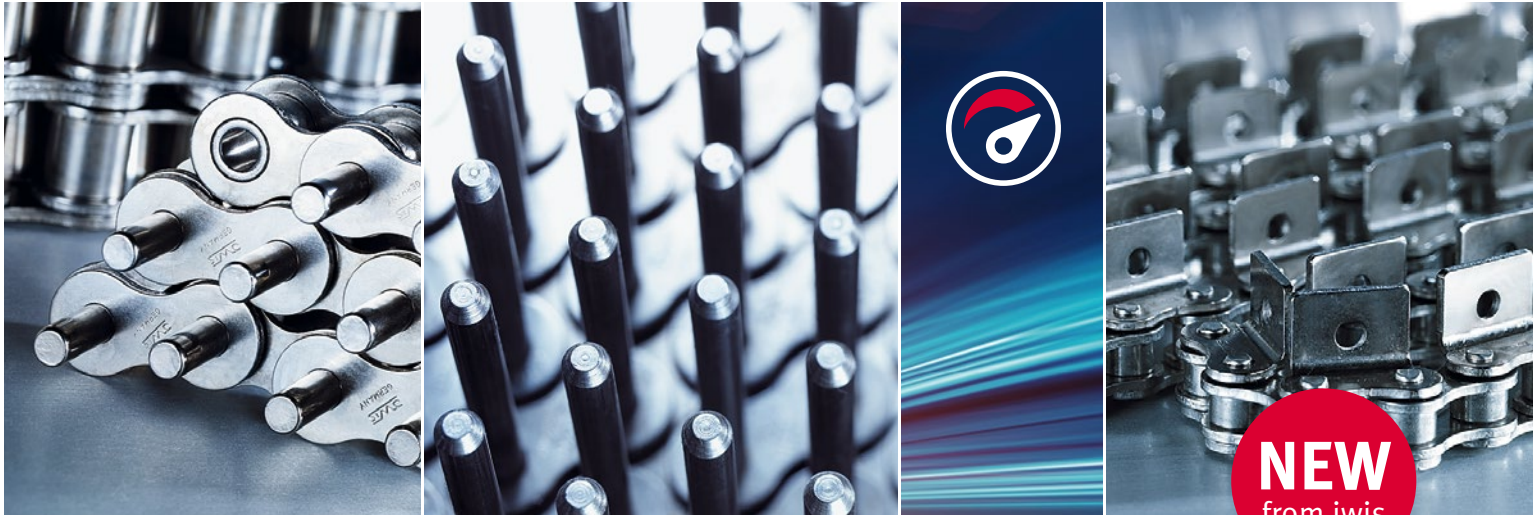


iwis

wir bewegen die welt



JWIS® The new Rapid Service for conveyor chains

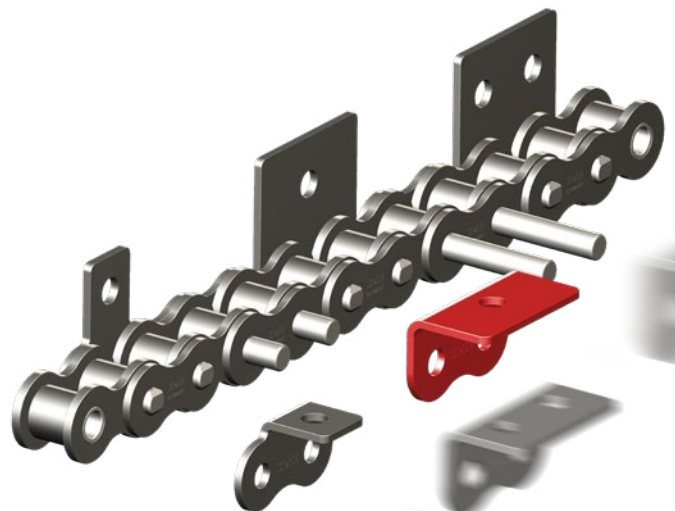
The new Rapid Service from iwis: the fast, flexible conveyor chain range for delivery of selected chain types at short notice. MEGAlife maintenance-free versions also available.

Highlights

- **Fastest delivery times**
- Chains types: conveyor chains with straight and bent attachment plate, as well as conveyor chains with extended bearing pins
- **Delivery scope:** ANSI sizes #35 – 80, C2040 – C2120H with straight attachments, bent attachments, extended pins and oversize rollers
- **MEGAlife maintenance-free versions** also available
- All attachments are **nickel-plated**
- Delivery time for standard versions: **at short notice following request**
- Special requirements quoted on request

MTO Attachment chains now built in Indianapolis

Conveyor chains with **customer-specific special attachments** can now also be produced in small quantities **quickly and at short notice** without compromising the accustomed high JWIS quality standards! Only iwis can offer this.

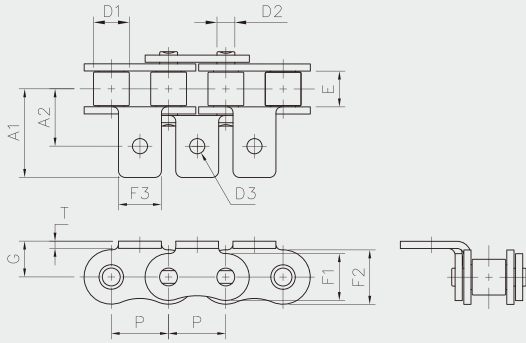


From the leading German chain manufacturer

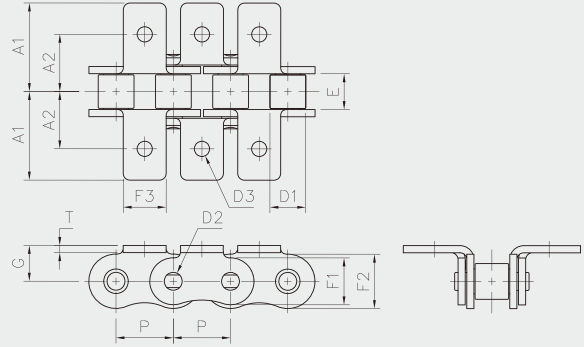
www.iwis.com

ANSI Standard attachment chains

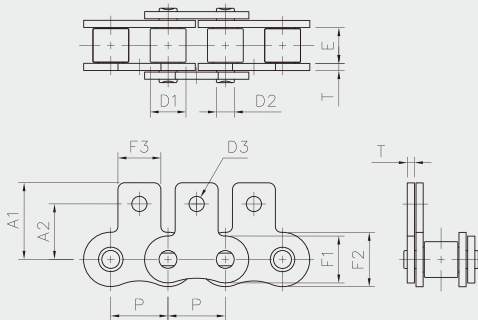
A-1 Bent, one side, one hole each tab



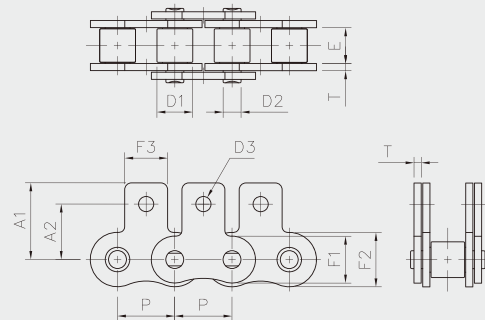
K-1 Bent, two sides, one hole each tab



SA-1 Straight, one side, one hole each tab



SK-1 Straight, two sides, one hole each tab



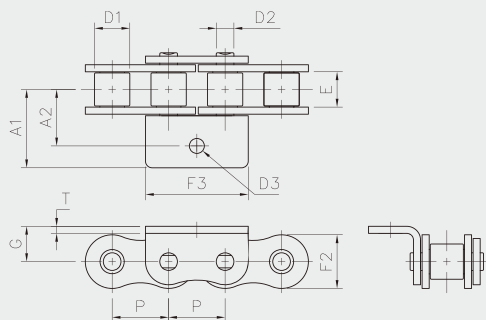
Chain No.	Pitch x Width P x E (inch)	Roller D1 (inch)	Pin D2 (inch)	T (inch)	Link		Attachments							
					F1 (inch)	F2 (inch)	A1 (inch)	A2 (inch)	A1 (inch)	A2 (inch)	F3 (inch)	D3 (inch)	G (inch)	
35	3/8 x 3/16	0.20	0.14	0.05	0.31	0.36	0.52	0.37	0.53	0.37	0.31	0.10	0.25	
40	1/2 x 5/16	0.31	0.16	0.06	0.41	0.47	0.69	0.50	0.69	0.50	0.37	0.13	0.31	
50	5/8 x 3/8	0.40	0.20	0.08	0.51	0.59	0.97	0.63	0.97	0.63	0.56	0.20	0.41	
60	3/4 x 1/2	0.47	0.23	0.09	0.62	0.71	1.10	0.75	1.04	0.72	0.63	0.20	0.47	
80	1 x 5/8	0.63	0.31	0.13	0.82	0.95	1.55	1	1.34	0.97	0.75	0.26	0.63	
100*	1-1/4 x 3/4	0.75	0.38	0.16	1.02	1.19	1.69	1.25	1.66	1.25	1	0.32	0.78	
120*	1-1/2 x 1	0.88	0.44	0.19	1.23	1.42	2.09	1.50	2.02	1.44	1.13	0.39	0.91	
140*	1-3/4 x 1	1	0.50	0.22	1.43	1.66	2.50	1.75	2.50	1.75	1.37	0.45	1.13	
160*	2 x 1-1/4	1.13	0.56	0.25	1.64	1.90	2.67	2	2.61	2	1.50	0.52	1.25	
								A1 . K1		SA1 . SK1				

For chain size 35, D1 is bush diameter

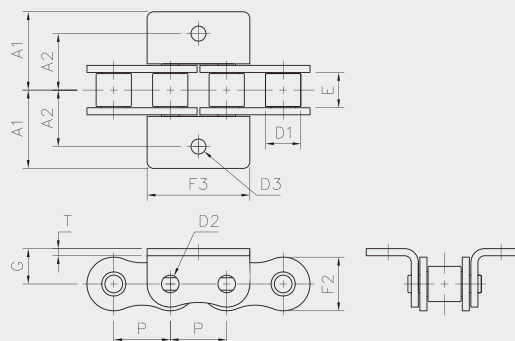
* Size not part of Rapid Service. Contact iwis to confirm lead times.

ANSI Standard attachment chains

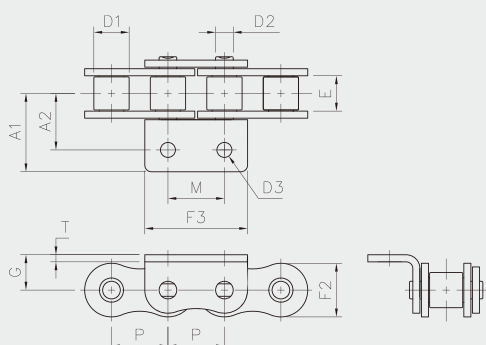
WA-1 Wide contour-bent, one side, one hole each tab



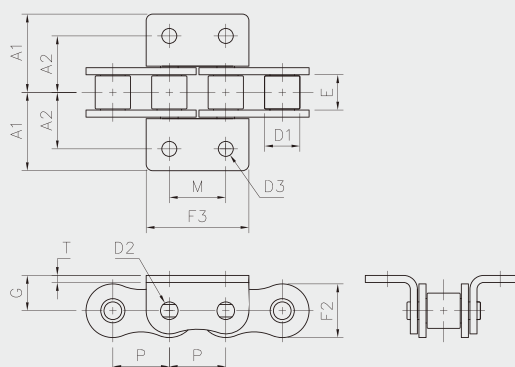
WK-1 Wide contour-bent, two sides, one hole each tab



WA-2 Wide contour-bent, one side, two holes each tab



WK-2 Wide contour-bent, two sides, two holes each tab



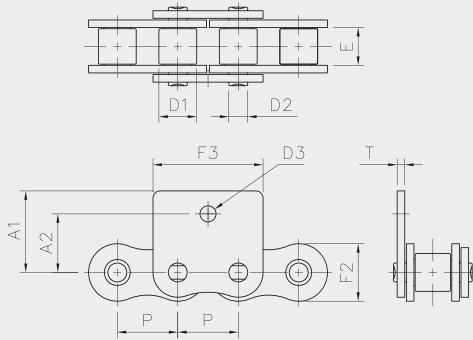
Chain No.	Pitch x Width P x E (inch)	Roller D1 (inch)	Pin D2 (inch)	T (inch)	Link F2 (inch)	Attachments					
						A1 (inch)	A2 (inch)	F3 (inch)	D3 (inch)	M (inch)	G (inch)
35	3/8 x 3/16	0.20	0.14	0.05	0.36	0.57	0.37	0.72	0.10	0.37	0.25
40	1/2 x 5/16	0.31	0.16	0.06	0.47	0.69	0.50	0.91	0.13	0.50	0.31
50	5/8 x 3/8	0.40	0.20	0.08	0.59	0.97	0.63	1.13	0.20	0.63	0.41
60	3/4 x 1/2	0.47	0.23	0.09	0.71	1.06	0.75	1.43	0.20	0.75	0.47
80	1 x 5/8	0.63	0.31	0.13	0.95	1.39	1	1.91	0.26	1	0.63
100 *	1-1/4 x 3/4	0.75	0.38	0.16	1.19	1.78	1.25	2.44	0.32	1.25	0.78
120 *	1-1/2 x 1	0.88	0.44	0.19	1.42	2.09	1.50	2.80	0.39	1.50	0.91
140 *	1-3/4 x 1	1	0.50	0.22	1.66	2.50	1.75	3.18	0.45	1.75	1.13
160 *	2 x 1-1/4	1.13	0.56	0.25	1.90	2.81	2	3.89	0.52	2	1.25

For chain size 35, D1 is bush diameter

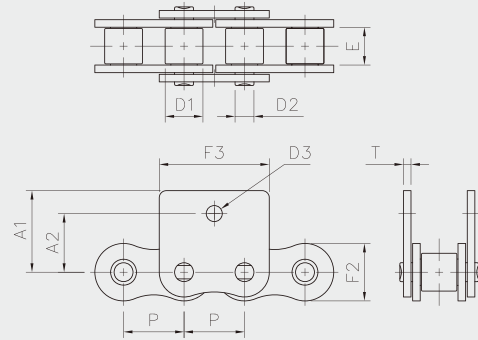
* Size not part of Rapid Service. Contact iwis to confirm lead times.

ANSI Standard attachment chains

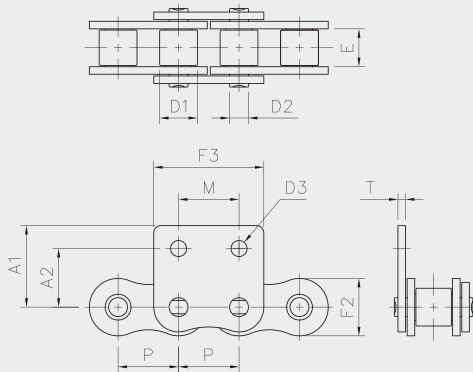
WSA-1 Wide contour-straight, one side, one hole each tab



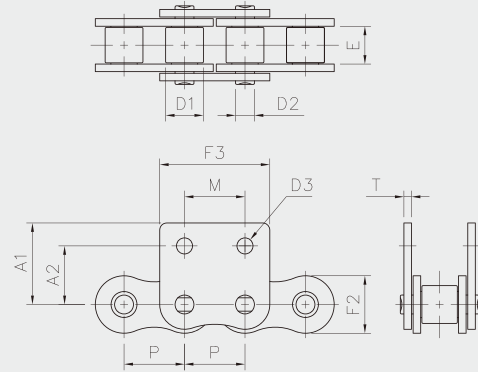
WSK-1 Wide contour-straight, two sides, one hole each tab



WSA-2 Wide contour-straight, one side, two holes each tab



WSK-2 Wide contour-straight, two sides, two holes each tab

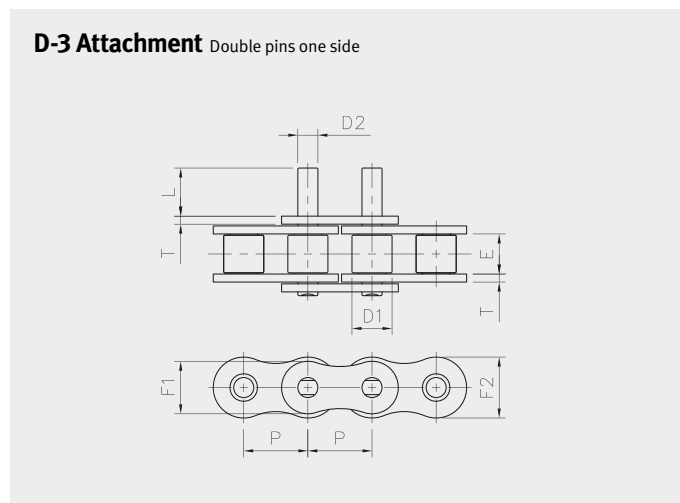
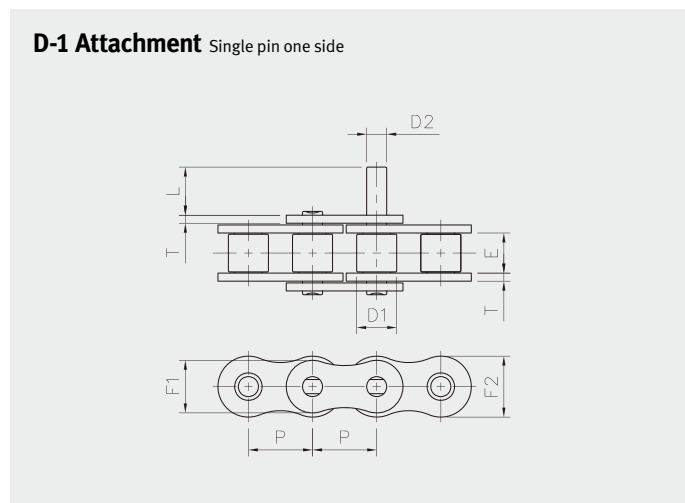


Chain No.	Pitch x Width P x E (inch)	Roller D1 (inch)	Pin D2 (inch)	T (inch)	Link F2 (inch)	Attachments				
						A1 (inch)	A2 (inch)	F3 (inch)	D3 (inch)	M (inch)
35	3/8 x 3/16	0.20	0.14	0.05	0.36	0.58	0.37	0.72	0.10	0.37
40	1/2 x 5/16	0.31	0.16	0.06	0.48	0.69	0.50	0.91	0.13	0.50
50	5/8 x 3/8	0.40	0.20	0.08	0.48	0.97	0.63	1.13	0.20	0.63
60	3/4 x 1/2	0.47	0.23	0.09	0.71	1.02	0.75	1.43	0.20	0.75
80	1 x 5/8	0.63	0.31	0.13	0.95	1.35	1	1.92	0.26	1
100 *	1-1/4 x 3/4	0.75	0.38	0.16	1.19	1.73	1.25	2.44	0.32	1.25
120 *	1-1/2 x 1	0.88	0.44	0.19	1.43	2.02	1.44	2.93	0.39	1.50
140 *	1-3/4 x 1	1	0.50	0.22	1.66	2.50	1.75	3.41	0.45	1.75

For chain size 35, D1 is bush diameter

* Size not part of Rapid Service. Contact iwis to confirm lead times.

ANSI Standard attachment chains



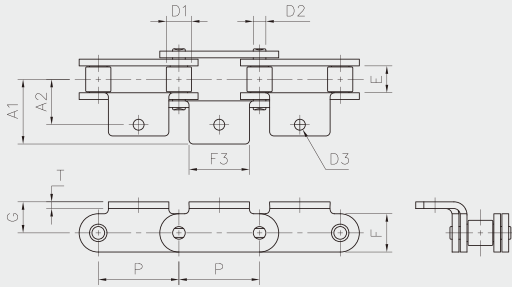
Chain No.	Pitch x Width P x E (inch)	Roller D1 (inch)	D2 (inch)	Pin L (inch)	T (inch)	F1 (inch)	Link F1 (inch)
35	3/8 x 3/16	0.20	0.14	0.37	0.05	0.31	0.36
40	1/2 x 5/16	0.31	0.16	0.37	0.06	0.41	0.47
50	5/8 x 3/8	0.40	0.20	0.47	0.08	0.51	0.59
60	3/4 x 1/2	0.47	0.23	0.56	0.09	0.62	0.71
80	1 x 5/8	0.63	0.31	0.75	0.13	0.82	0.95
100 *	1-1/4 x 3/4	0.75	0.38	0.94	0.16	1.02	1.19
120 *	1-1/2 x 1	0.88	0.44	1.13	0.19	1.23	1.42
140 *	1-3/4 x 1	1	0.50	1.31	0.22	1.43	1.66
160 *	2 x 1-1/4	1.13	0.56	1.50	0.25	1.64	1.90
200 *	2-1/2 x 1-1/2	1.56	0.78	1.87	0.31	2.05	2.37

For chain size 35, D1 is bush diameter

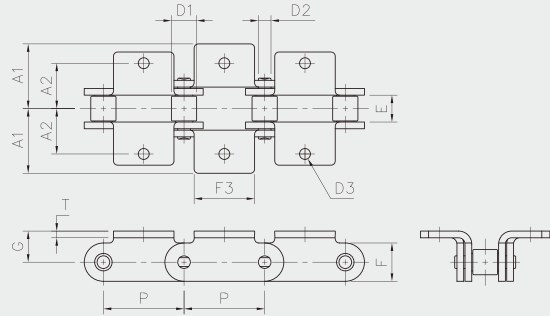
* Size not part of Rapid Service. Contact iwis to confirm lead times.

Double-pitch attachments

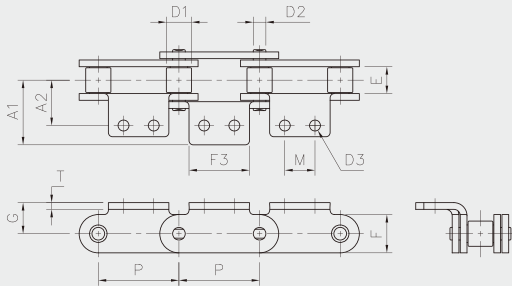
A-1 Bent, one side, one hole each tab



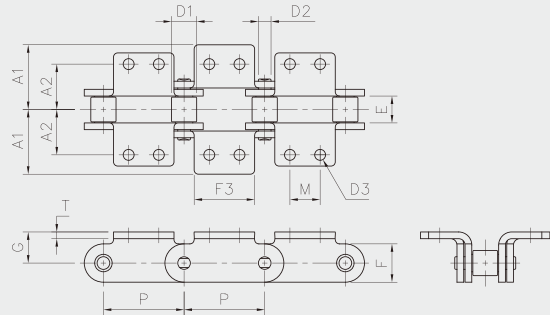
K-1 Bent, two sides, one hole each tab



A-2 Bent, one side, two holes each tab



K-2 Bent, two sides, two holes each tab

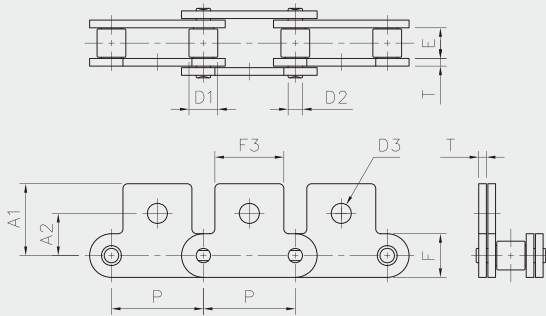


Chain No.	Pitch x Width P x E (inch)	Roller D1 (inch)	Pin D2 (inch)	T (inch)	Link F (inch)	Attachments					
						A1 (inch)	A2 (inch)	F3 (inch)	D3 (inch)	G (inch)	M (inch)
C2040	1 x 5/16	0.31	0.16	0.06	0.46	0.74	0.50	0.75	0.13	0.36	0.37
C2050	1-1/4 x 3/8	0.40	0.20	0.08	0.59	0.94	0.63	0.99	0.20	0.44	0.47
C2060H	1-1/2 x 1/2	0.47	0.23	0.13	0.71	1.20	0.84	1.13	0.20	0.58	0.56
C2080H	2 x 5/8	0.63	0.31	0.16	0.95	1.52	1.09	1.50	0.26	0.75	0.75
C2100H	2-1/2 x 3/4	0.75	0.38	0.19	1.19	1.96	1.31	1.87	0.32	0.92	0.94
C2120H	3 x 1	0.88	0.44	0.22	1.37	2.39	1.56	2.25	0.39	1.09	1.13
C2160H *	4 x 1-1/4	1.13	0.56	0.28	1.90	3.16	2.06	2.96	0.52	1.44	1.50

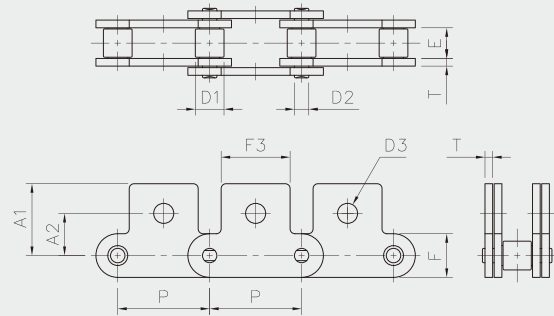
* Size not part of Rapid Service. Contact iwis to confirm lead times.

Double-pitch attachments

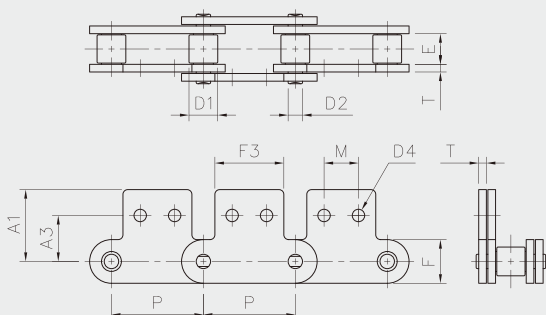
SA-1 Straight, one side, one hole each tab



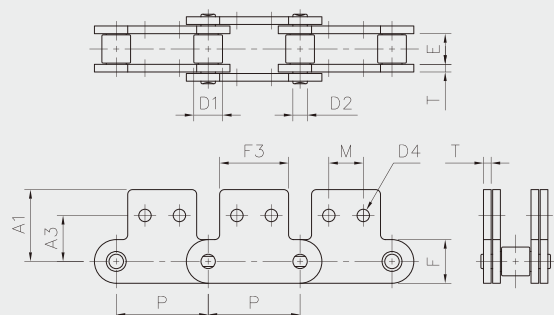
SK-1 Straight, two sides, one hole each tab



SA-2 Straight, one side, two holes each tab



SK-2 Straight, two sides, two holes each tab

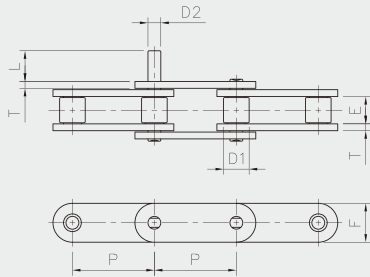


Chain No.	Pitch x Width P x E (inch)	Roller D1 (inch)	Pin D2 (inch)	T (inch)	Link F1 (inch)	Attachments						
						A1 (inch)	A2 (inch)	A3 (inch)	F3 (inch)	D3 (inch)	D4 (inch)	M (inch)
C2040	1 x 5/16	0.31	0.16	0.06	0.46	0.76	0.44	0.53	0.75	0.205	0.13	0.37
C2050	1-1/4 x 3/8	0.40	0.20	0.08	0.59	0.97	0.56	0.63	1	0.268	0.20	0.47
C2060H	1-1/2 x 1/2	0.47	0.23	0.13	0.71	1.17	0.69	0.75	1.13	0.343	0.20	0.56
C2080H	2 x 5/8	0.63	0.31	0.16	0.95	1.50	0.87	1	1.50	0.406	0.26	0.75
C2100H	2-1/2 x 3/4	0.75	0.38	0.19	1.19	1.98	1.13	1.25	1.87	0.516	0.32	0.94
C2120H	3 x 1	0.88	0.44	0.22	1.37	2.36	1.31	1.47	2.25	0.578	0.39	1.13
C2160H *	4 x 1-1/4	1.13	0.56	0.28	1.90	3.02	1.75	2	2.96	0.771	0.52	1.50

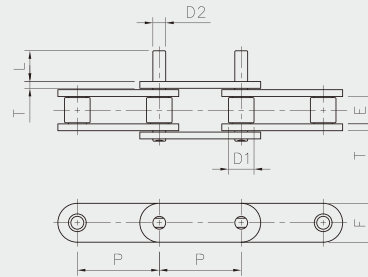
* Size not part of Rapid Service. Contact iwis to confirm lead times.

Double-pitch attachments

D-1 Single pin, one side



D-3 Double pins, one side



Chain No.	Pitch x Width P x F (inch)	Roller D ₂ (inch)	D ₂ (inch)	Pin		Link
				L (inch)	F (inch)	
C2040	1 x 5/16	0.31	0.16	0.38	0.46	
C2050	1-1/4 x 3/8	0.40	0.20	0.47	0.59	
C2060H	1-1/2 x 1/2	0.47	0.23	0.56	0.71	
C2080H	2 x 5/8	0.63	0.31	0.75	0.95	
C2100H	2-1/2 x 3/4	0.75	0.38	0.93	1.19	
C2120H	3 x 1	0.88	0.44	1.13	1.37	

USA

iwis drive systems, LLC
 Building 100, 8266 Zionville Road
 Indianapolis, IN 46268
 Tel. +1 317 821-3539
 Fax +1 317 821-3569
 sales@iwisusa.com

Canada

iwis drive systems, Inc.
 Unit 101 19097 – 26th Avenue
 Surrey, BC Canada V3S 3V7
 Tel. +1 604 560-6395
 Fax +1 604 560-6397
 salesca@iwisusa.com

Canada

iwis drive systems, Inc.
 3170, Orlando Drive, Unit 2,
 Mississauga, ON L4V1R5, Canada
 Tel. +1 416-699-0067
 Fax +1416-699-1355