



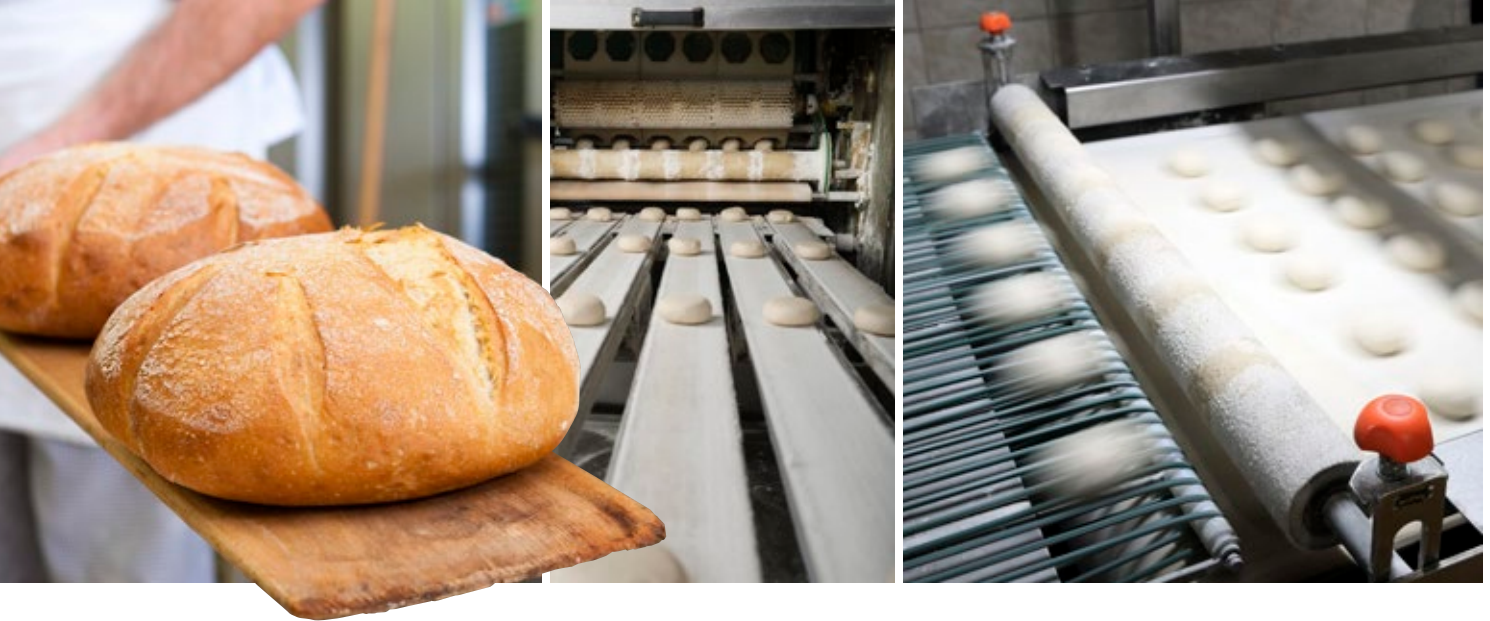
Now even
BETTER!

ELITE Hollow Pin Chains – Series HB50.8

Oil splashes and/or zinc abrasion resulting from sprocket tooth wear can seriously contaminate conveyor systems, which in turn causes problems with fulfilling hygiene requirements.

In addition to the tried and tested iwis product range, the company has now developed solutions that guarantee a **high degree of protection against abrasion and wear.**

A real bonus for plant suppliers and users!



Longer Service Intervals, less Downtime

Hollow pin chains from Series HB50.8 are used in many **shuttle conveyor applications**, especially in **bakeries**.

Hollow pin chains HB50.8 are available in the following versions: normal steel, stainless steel or zinc-plated, with either steel or plastic rollers.

A frequently recurring problem for plant suppliers and users alike are oil splashes and/or zinc abrasion resulting from sprocket tooth wear, which in turn cause serious contamination of the conveyor system.

iwis can now offer a further **development of the existing chains** characterised by its longer service life and, above all, its **better abrasion resistance**.

The **better abrasion resistance** of the newly developed HB50.8 ZPKDD version is achieved primarily through its optimised plastic slide bearing. In addition, thrust washers mounted between the inner and outer plates prevent undesirable tooth abrasion.

Highlights

- Many versions available from stock
- Versions with seamless bushes and hollow pins
- Available in steel, zinc-plated version and stainless steel
- On request, pair-matched chains are supplied to guarantee ideal parallel running
- Plastic rollers made of wear-resistant POM
- Blue-coloured plastic rollers available on request
- Chains with wax lubricant **iwidur** available on request

Practical accessories

iwis offers a wide range of suitable accessories for hollow pin chains:

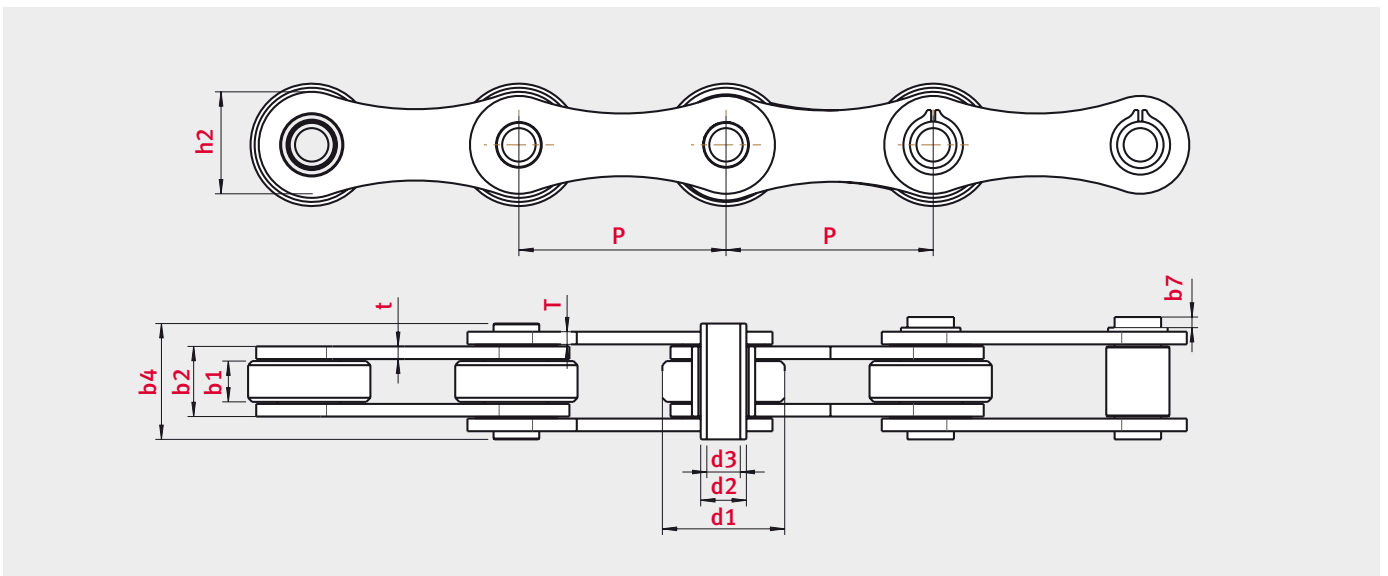
- Sprockets
- Plate wheels
- Deflectors/direction changers





Product Range ELITE Hollow Pin Chains – Series HB50.8

Chain type	Pitch	Width between inner plates	Roller diameter	Pin diameter	Hollow pin inner diameter	Pin length	Max. pin length of connecting link	Plate thickness	Height inner plate	Tensile strength	Weight
	p mm	b1 min. mm	d1 max. mm	d2 mm	d3 min. mm	b4 max. mm	b4 + b7 mm	t / T ~ mm	h2 max. mm	F min. N	kg/m
HB50,8	50.8	10.5	30	11.4	8.2	27.4	28.6	3.1	26	55000	2.15
HB50,8 ZP	50.8	10.5	30	11.4	8.2	27.4	28.6	3.1	26	50000	2.15
HB50,8 ZPD	50.8	10.5	30	11.4	8.2	27.4	28.6	3.1	26	50000	1.55
NEW HB50,8 ZPKD	50.8	10.5	30	11.2	8.2	28.2	29.6	3.1	26	42000	1.55
NEW HB50,8 ZPKDD	50.8	10.5	30	11.2	8.2	28.5	29.6	3.1	26	42000	1.6
HB50,8 SS	50.8	10.5	30	11.4	8.2	27.4	28.6	3.1	26	35000	2.15
HB50,8 SSD	50.8	10.5	30	11.4	8.2	27.4	28.6	3.1	26	35000	1.55
HB50,0	50.0	10.5	30	11.4	8.2	27.4	28.6	3.1	26	55000	2.2
HB50,0 ZP	50.0	10.5	30	11.4	8.2	27.4	28.6	3.1	26	50000	2.2





ELITE Technical Specifications

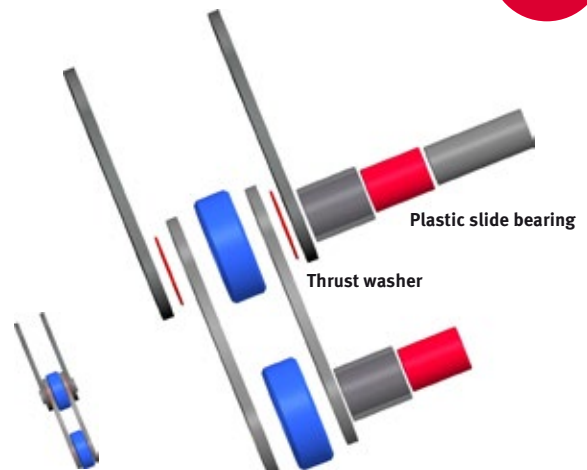
Type	Plates	Rollers	Bushes	Pins	Special features
HB50.8	Heat-treated	Case-hardened	Case-hardened	Case-hardened	
HB50.8 ZP	Heat-treated, zinc-plated	Case-hardened, zinc-plated	Case-hardened, zinc-plated	Case-hardened, zinc-plated	
HB50.8 ZPD	Heat-treated, zinc-plated	PA6/POM	Case-hardened, zinc-plated	Case-hardened, zinc-plated	
NEU HB50.8 ZPKD	Heat-treated, zinc-plated	PA6/POM	Plastic slide bearing	Case-hardened, zinc-plated	
NEU HB50.8 ZPKDD	Heat-treated, zinc-plated	PA6/POM	Plastic slide bearing	Case-hardened, zinc-plated	with thrust washer
HB50.8 SS	Stainless steel	Stainless steel	Stainless steel	Stainless steel	
HB50.8 SSD	Stainless steel	Stainless steel	Stainless steel	Stainless steel	
HB50.0	Heat-treated	Case-hardened	Case-hardened	Case-hardened	
HB50.0 ZP	Heat-treated, zinc-plated	Case-hardened, zinc-plated	Case-hardened, zinc-plated	Case-hardened, zinc-plated	

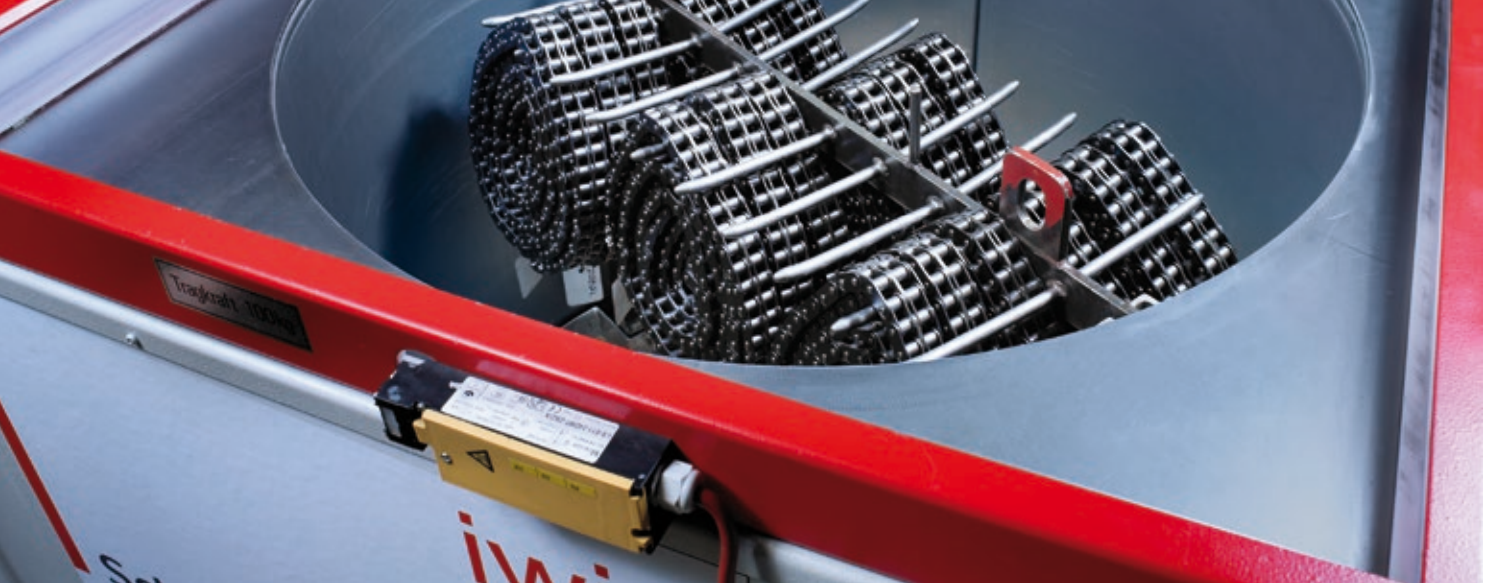
Conventional hollow pin chains



HB50.8 ZPKDD

NEW
from iwis





Optimum chain lubrication with **iwidUR**[®]

Chain service life can be prolonged significantly by an adequate and effective lubrication of chain links. Selection of the right lubricant and lubrication method guarantees reduced chain wear, adequate corrosion protection and reduced noise.

In order to meet the requirements of the food industry, iwis developed the special wax lubricant **iwidUR**[®], which is characterised by its good lubrication performance and high level of corrosion protection; it also increases the wear resistance of chains. Chains lubricated with **iwidUR**[®] exhibit minimal chain elongation and need less frequent relubrication than conventional oil-lubricated chains.

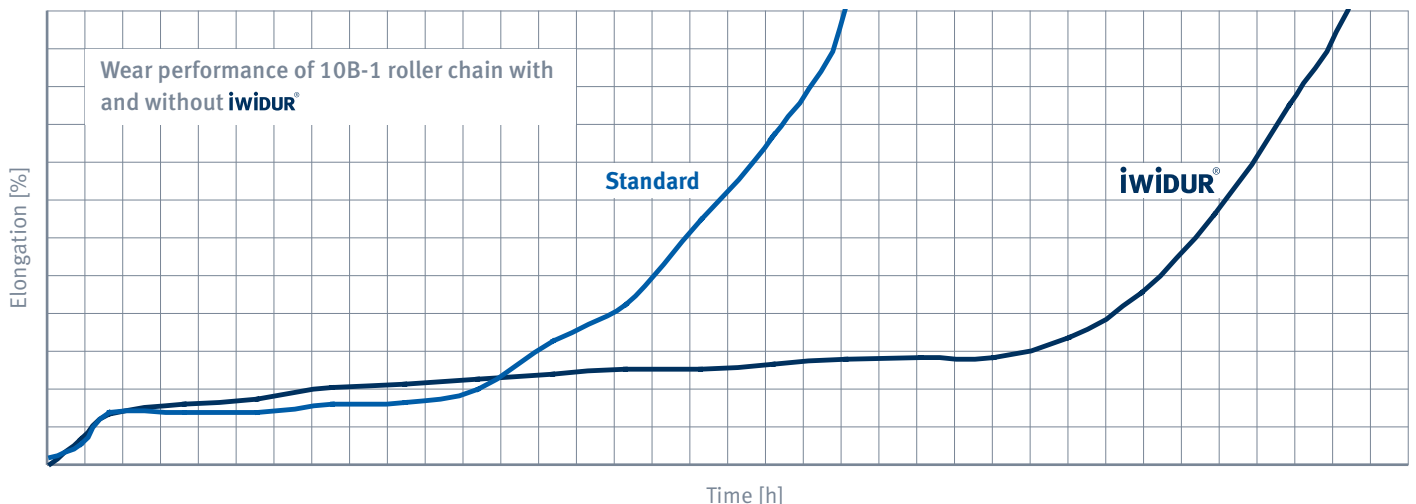
This high-performance lubricant is water-insoluble, odour-free and non-toxic, so it does not require labelling according to the hazardous substances ordinance.

Highlights

- Better wear protection and minimal chain elongation in comparison to conventional chains with long-term lubrication
- Longer relubrication intervals
- Good corrosion protection
- Low-maintenance
- Reduces noise
- Conveyed goods and chain drive remain clean
- USDA-H1 and LMBG approved

Product characteristics

- Application is by hot immersion
- Optimum temperature range approx. -25 to 80 °C (in low temperature ranges, a higher starting torque may be required after longer standstills)
- Biologically safe, non-toxic



Our subsidiaries

Germany

iwis antriebssysteme GmbH & Co. KG
Albert-Roßhaupter-Straße 53
81369 München
Tel. +49 89 76909-1500
Fax +49 89 76909-1198
sales@iwis.com

Germany

iwis antriebssysteme GmbH
Essener Straße 23
57234 Wilnsdorf
Tel. +49 2739 86-0
Fax +49 2739 86-22
sales-wilnsdorf@iwis.com

Germany

iwis agrisystems
Schützenweg 5
36205 Sontra
Tel. +49 5653 9778-0
Fax +49 5653 9778-26
agrisystems@iwis.com

Great Britain

iwis drive systems Ltd.
Unit 8c Bloomfield Park
Bloomfield Road, Tipton
West Midlands, DY4 9AP
Tel. +44 12 15213600
Fax +44 12 15200822
salesuk@iwis.com

France

iwis systèmes de transmission
10, rue du Luxembourg
69330 Meyzieu
Tel. +33 4374515-70
Fax +33 4374515-71
salesfr@iwis.com

Switzerland

iwis AG Kettentechnik
Bahnweg 4 (Postfach)
5504 Othmarsingen
Tel. +41 62 8898999
Fax +41 62 8898990
info@iwis-ketten.ch

Italy

iwis antriebssysteme Italia
Tel. +39 340 9296142
Fax +49 89 7690949-1726
salesit@iwis.com

China

iwis drive systems (Suzhou) Co., Ltd.
No. 266 LvliangShan Road
215153 Suzhou SND
Tel. +86 512 8566-3020
Fax +86 512 8566-3009
salescn@iwis.com

USA

iwis drive systems, LLC
Building 100, 8266 Zionsville Road
Indianapolis, IN 46268
Tel. +1 317 821-3539
Fax +1 317 821-3569
sales@iwisusa.com

Canada

iwis drive systems, Inc.
Unit 101 19097 – 26th Avenue
Surrey, BC Canada V3Z 3V7
Tel. +1 604 560-6395
Fax +1 604 560-6397
salesca@iwisusa.com

Brazil

iwis Sistemas de Transmissão
de Energia Mecânica Ltda.
Rua Bento Rosa, nº 1816
Bairro Hidráulica
95.900-000 Lajeado, RS
Tel. +55 51 3748-7402
salesbrazil@iwis.com

South Africa

iwis drive systems, (Pty) Ltd
Unit 3, 127 Koornhof Road
Meadowdale, 1613
Tel. +27 11 392-2306
Fax +27 11 392-3295
salessa@iwis.com

Turkey

iwis antriebssysteme GmbH & Co. KG
Türkiye İstanbul İrtibat Bürosu
Tel. +90 543 554 3483
salestr@iwis.com

www.iwis.com

iwis
antriebssysteme
wir bewegen die welt

Your sales representative

