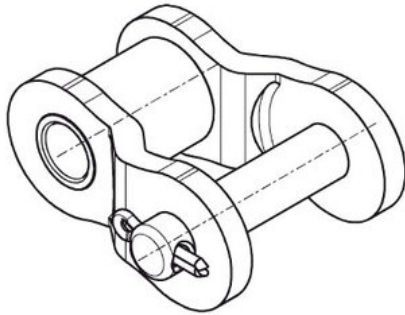


Connecting link 120-1 Type L - ecoplus



Part no.: 81004556
Brand: ecoplus
Model: Type L

ecoplus[®]

Technical data

CONNECTING LINK

120

Product Information

Used to make chains of odd pitch lengths

- Standard of 1/2" up to 3" pitch.

REQUEST DIRECTLY ONLINE NOW

<https://www.iwis.com/en-en/products-services/connecting-link-120-1-type-l-ecoplus~p1010454>

Useful information



CALCULATION PROGRAM

InduKet: the Chain Drive
Calculation Program for
Engineers.

iwis.com/chaincalc



CHAIN CALCULATION

The right drive solution for your
challenge.

chaindrive@iwis.com