

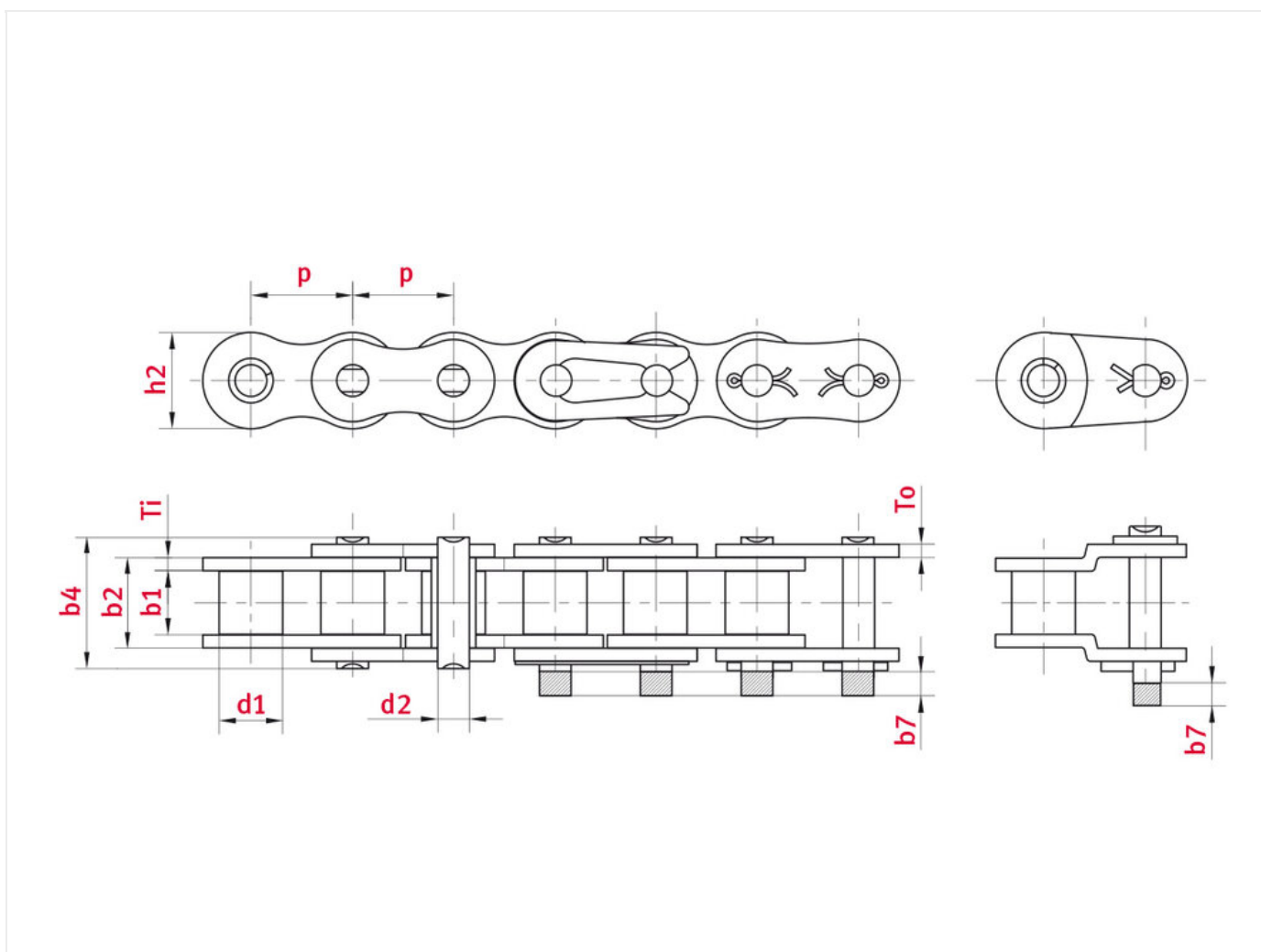


## Roller chain 50-1 Reel - ELITE

Part no.: 81014092

Brand: ELITE

Model: Reel



### Technical data

ROLLER CHAIN	50
Pitch p (mm)	15,875
Width between inner plates b1 min. (mm)	9,4
Roller diameter d1 max. (mm)	10,16

Pin diameter d2 max. (mm)	5,09
Pin length b4 max. (mm)	21,8
Max. add. length of connecting link b7 max. (mm)	4,1
Total width inner link b2 max. (mm)	13,84
Plate thickness Ti/To (mm)	2,00/2,00
Min. tensile strength ISO/DIN FU (kN)	21,8
Avg. tensile strength FB (kN)	28
Weight per meter (kg)	1,02
Bearing surface f (cm <sup>2</sup> )	0,69

## Product Information

### ELITE Roller Chains – The ideal solution for Industrial Drive Applications

ELITE roller chains are engineered to deliver optimum wear resistance and exceed standard fatigue strength requirements, making them the robust and reliable choice for industrial applications. Every ELITE transmission roller chain is highly pre-stretched and treated with our advanced initial lubricant, eliDUR+. This specialized, non-drip chain oil improves running characteristics while offering superior corrosion protection.

#### Key Benefits of ELITE Roller Chains

- High pre-stretching for durability: ELITE chains are pre-stretched with approximately 40% of their breaking strength, 10% more than ISO 606 requires, reducing initial elongation and enhancing longevity.
- Advanced initial lubrication: eliDUR+ provides extreme wear resistance, improving the chain's lifespan and performance in demanding environments.
- Increased fatigue strength: On average, ELITE roller chains are 20% stronger than the minimum requirements set by ISO 606, ensuring high durability under heavy loads.
- Precision-engineered alloy steel pins: Manufactured with alloy steel and featuring a high surface hardness, ELITE pins contribute to extended chain life.
- Wide operating temperature range: With eliDUR+ standard lubrication, ELITE roller chains operate effectively in temperatures from -5 °C to +70 °C.
- Customizable coated options: Available in coated versions for additional protection, and ready-made chains tailored to specific lengths are available upon request.
- Special lubricants for extreme conditions: Custom lubricants support applications in low temperatures down to -30 °C or high temperatures up to +250 °C.
- Matched and marked chains: iwis offers matched and marked chains in pairs or sets upon request, for optimized performance in precision applications.

#### Advantages of Choosing ELITE Roller Chains

- Extended lifetime with reduced wear for greater durability and cost-effectiveness
- Enhanced load capacity and strength for reliable performance in industrial settings
- Versatile temperature and corrosion resistance for demanding environments
- Custom configurations available: Tailored chain lengths, coatings, and special lubrications for your specific needs

With ELITE roller chains from iwis, you are choosing reliability and long service life. Discover the ideal chain solution for your industrial applications today!

## Applications

- Warehouse technology, materials-handling industry
- Fördertechnik
- Assembly and industrial handling systems
- Wood processing industry
- Mechanical engineering and systems construction
- Glass, ceramic and building material industry
- Environmental technology, Recycling

**REQUEST DIRECTLY ONLINE NOW**

<https://www.iwis.com/en-en/products-services/roller-chain-50-1-reel-elite~p3089728>

## Useful information

### **CALCULATION PROGRAM**

InduKet: the Chain Drive Calculation Program for Engineers.

[iwis.com/chaincalc](https://www.iwis.com/chaincalc)

### **CHAIN CALCULATION**

The right drive solution for your challenge.

[chaindrive@iwis.com](mailto:chaindrive@iwis.com)