

Plate Top Chain 1843 Series 1843, hardened carbon steel - FLEXON

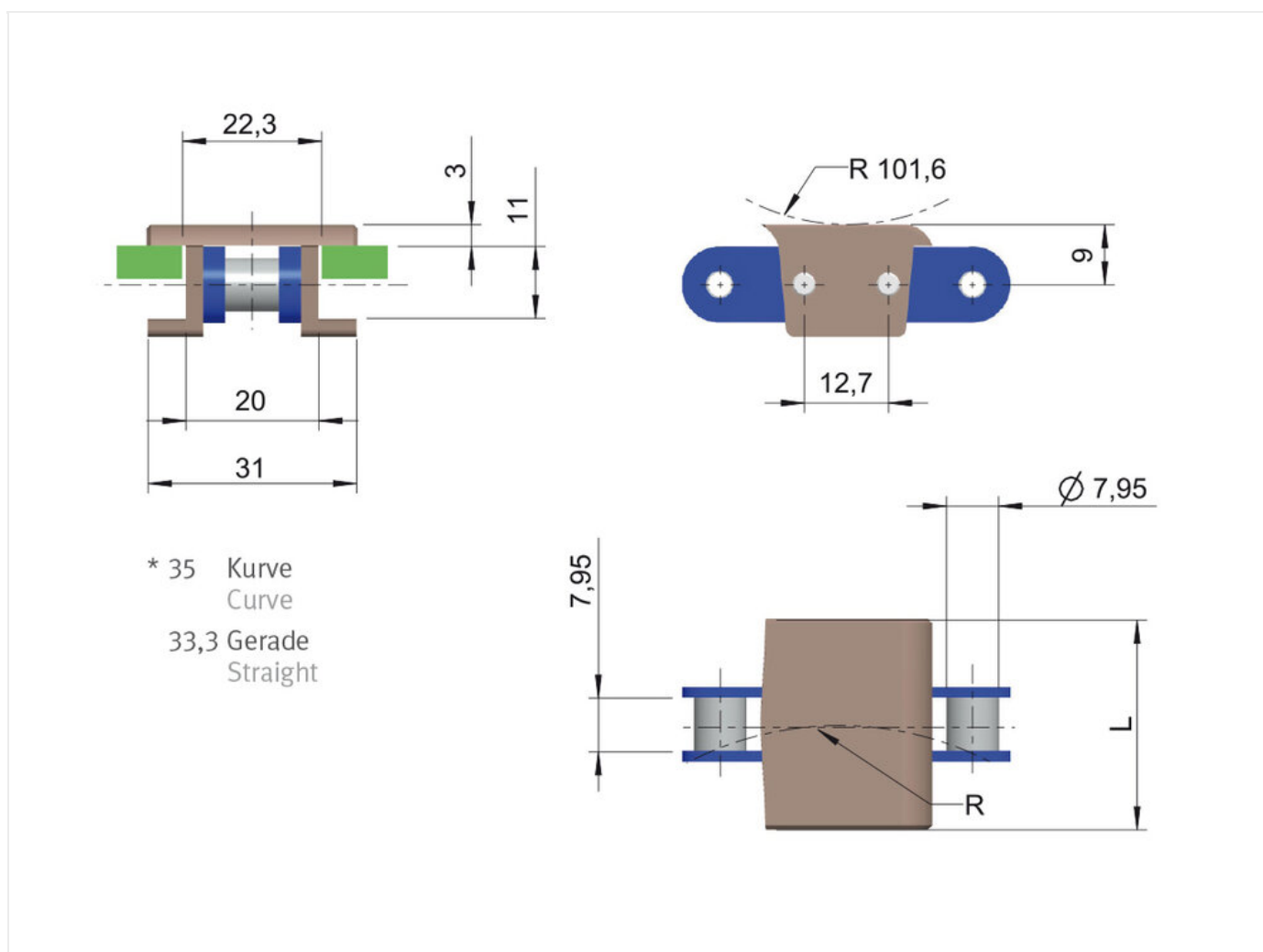
Part no.: 34382

Packaging Unit: 3,048m

Brand: FLEXON

Model: Series 1843

Surface: hardened carbon steel



Technical data

FLAT TOP CHAIN	1843
Weight per meter (kg)	0,9
Back flex radius (mm)	100
Width L (mm)	50,8

Average breaking load (N)	9,8
Minimum Curve radius R (mm)	250
Snap on material	LF
Material base chain	C45
Pitch base chain (mm)	12,7

Product Information

The FLEXON range of Plate Top chains are two piece assemblies of base roller chain, in steel or stainless steel, onto which a plastic plate is mounted. The combination of the two elements creates a chain with high breaking load provided by the ELITE base chain plus the benefit of a very flat top surface.

Top plates ready assembled on carbon steel base chain.

Highlights:

- ANSI 40 side bow base chain with extended pins
- Easy to change out the snapped on top plates

Applications

- Feeding and automation technology
- Food processing industry
- Automotive industry

REQUEST DIRECTLY ONLINE NOW

<https://www.iwis.com/en-en/products-services/plate-top-chain-1843-series-1843-hardened-carbon-steel-flexon~p7260>

Useful information

CALCULATION PROGRAM

InduKet: the Chain Drive
Calculation Program for
Engineers.

iwis.com/chaincalc

CHAIN CALCULATION

The right drive solution for your
challenge.

chaindrive@iwis.com

SERVICES

ChainFinder, CAD data, iwis
Chain Handbook and more.

iwis.com/services