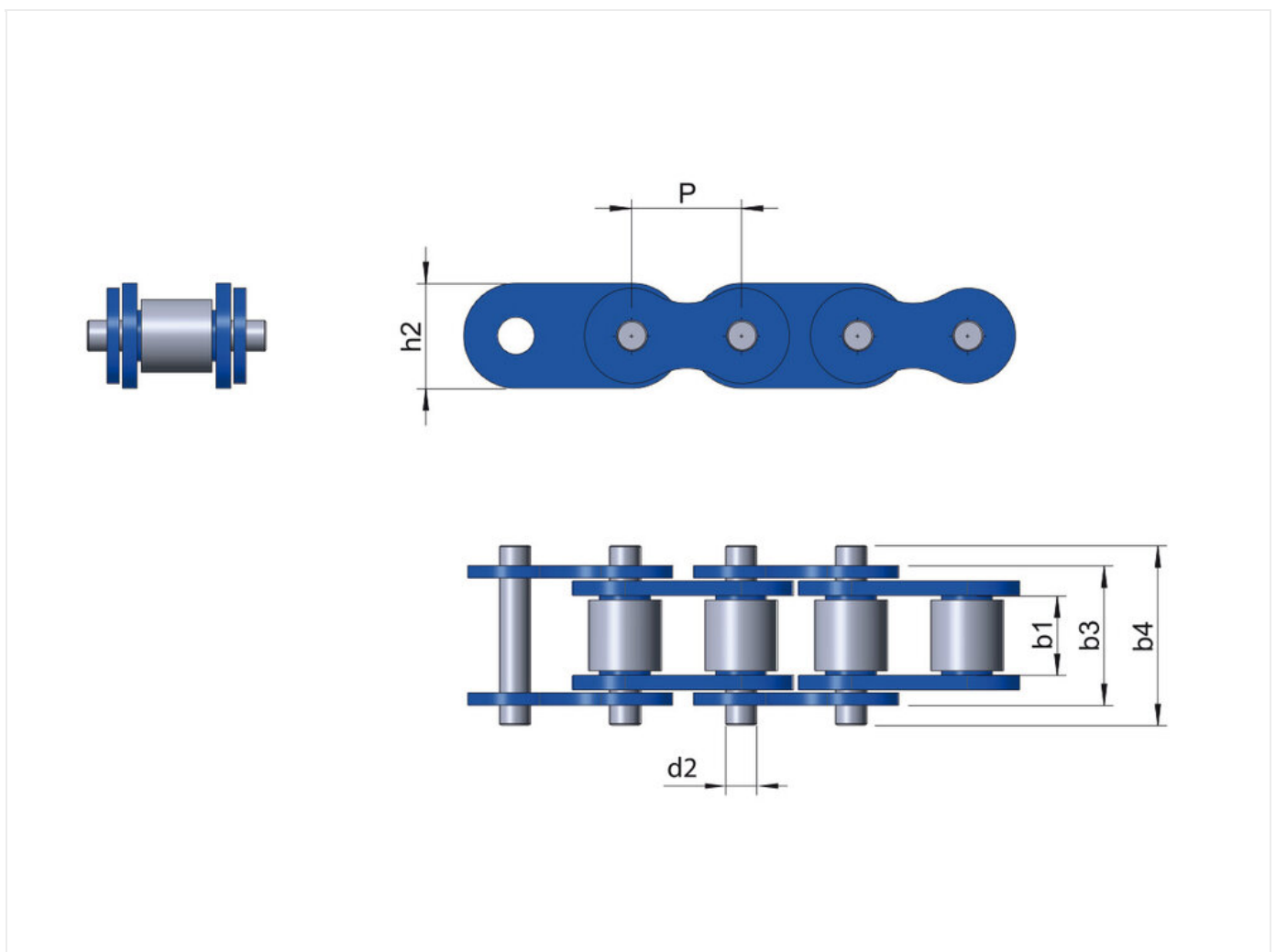


Plate top basic chain 40, hardened carbon steel - FLEXON

Part no.: 81013565
Packaging Unit: 3,048m

Brand: FLEXON
Model: Base chain
Surface: hardened carbon steel



Technical data

FLAT TOP CHAIN	40
Pin diameter d2 max. (mm)	3,96
Weight per meter (kg)	0,67
Chain material	C45

Average breaking load (N)	13,8
Material base chain	C45
Pitch base chain (mm)	12,7

Product Information

The FLEXON range of Plate Top chains are two piece assemblies of base roller chain, in steel or stainless steel, onto which a plastic plate is mounted. The combination of the two elements creates a chain with high breaking load provided by the ELITE base chain plus the benefit of a very flat top surface.

ANSI 40 base chain with extended pins

Applications

- Feeding and automation technology
- Packaging industry

REQUEST DIRECTLY ONLINE NOW

<https://www.iwis.com/en-en/products-services/plate-top-basic-chain-40-hardened-carbon-steel-flexon~p7291>

Useful information

CALCULATION PROGRAM

InduKet: the Chain Drive Calculation Program for Engineers.

[iwis.com/chaincalc](https://www.iwis.com/chaincalc)

CHAIN CALCULATION

The right drive solution for your challenge.

chaindrive@iwis.com

SERVICES

ChainFinder, CAD data, iwis Chain Handbook and more.

[iwis.com/services](https://www.iwis.com/services)