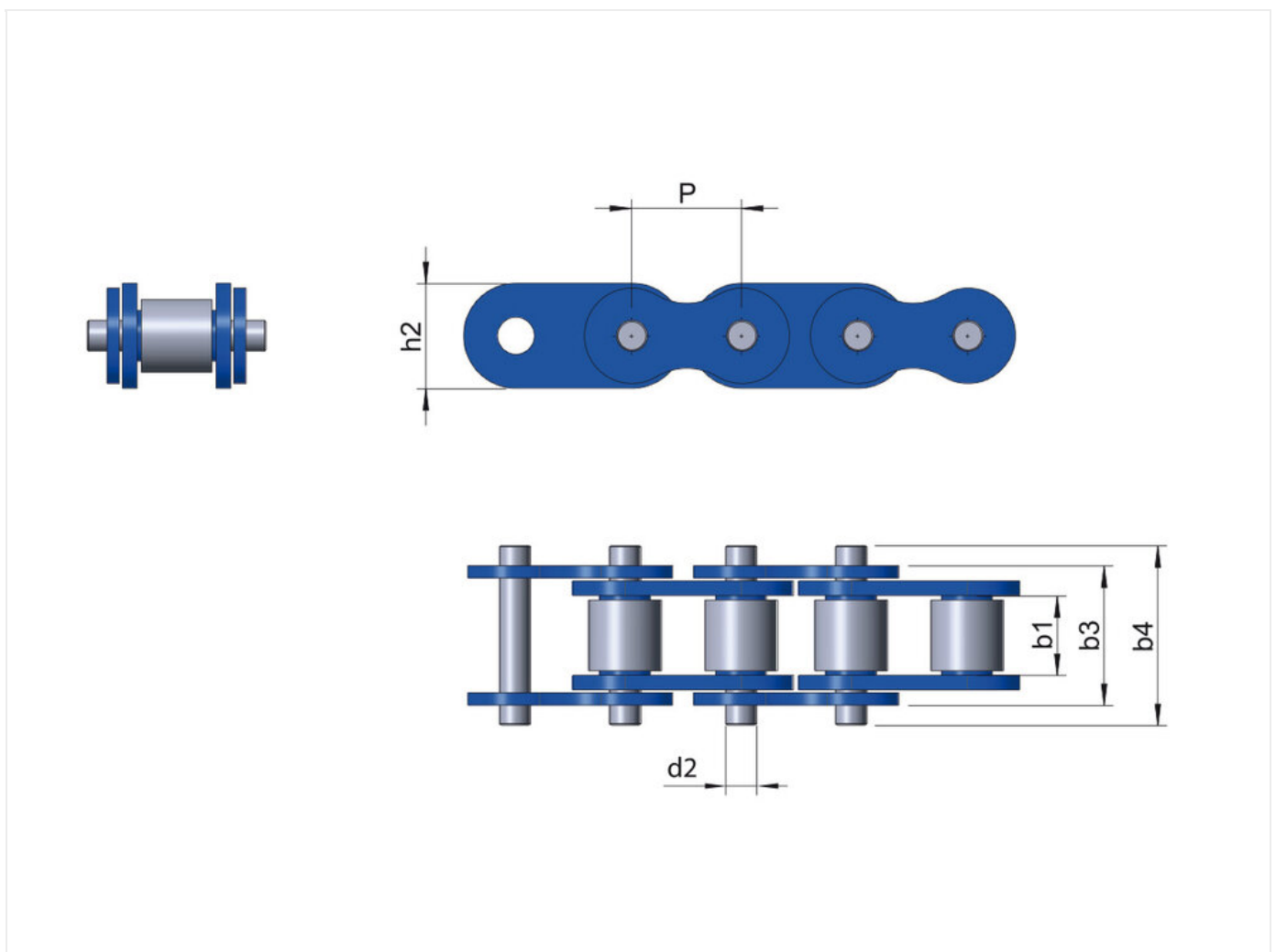


Plate top basic chain 40 Side bow, Stainless steel - FLEXON

Part no.: 81013567
Packaging Unit: 3,048m

Brand: FLEXON
Model: Side bow base chain
Surface: Stainless steel



Technical data

FLAT TOP CHAIN	40
Pin diameter d2 max. (mm)	3,45
Weight per meter (kg)	0,61
Chain material	coreshop.product.attribute.stainlesssteel

Average breaking load (N)	5,9
Minimum Curve radius R (mm)	305
Material base chain	coreshop.product.attribute.stainlesssteel
Pitch base chain (mm)	12,7

Product Information

The FLEXON range of Plate Top chains are two piece assemblies of base roller chain, in steel or stainless steel, onto which a plastic plate is mounted. The combination of the two elements creates a chain with high breaking load provided by the ELITE base chain plus the benefit of a very flat top surface.

ANSI 40 side bow base chain with extended pins

Applications

- Feeding and automation technology
- Packaging industry

REQUEST DIRECTLY ONLINE NOW

<https://www.iwis.com/en-en/products-services/plate-top-basic-chain-40-side-bow-stainless-steel-flexon~p7297>

Useful information

CALCULATION PROGRAM

InduKet: the Chain Drive Calculation Program for Engineers.

[iwis.com/chaincalc](https://www.iwis.com/chaincalc)

CHAIN CALCULATION

The right drive solution for your challenge.

chaindrive@iwis.com