

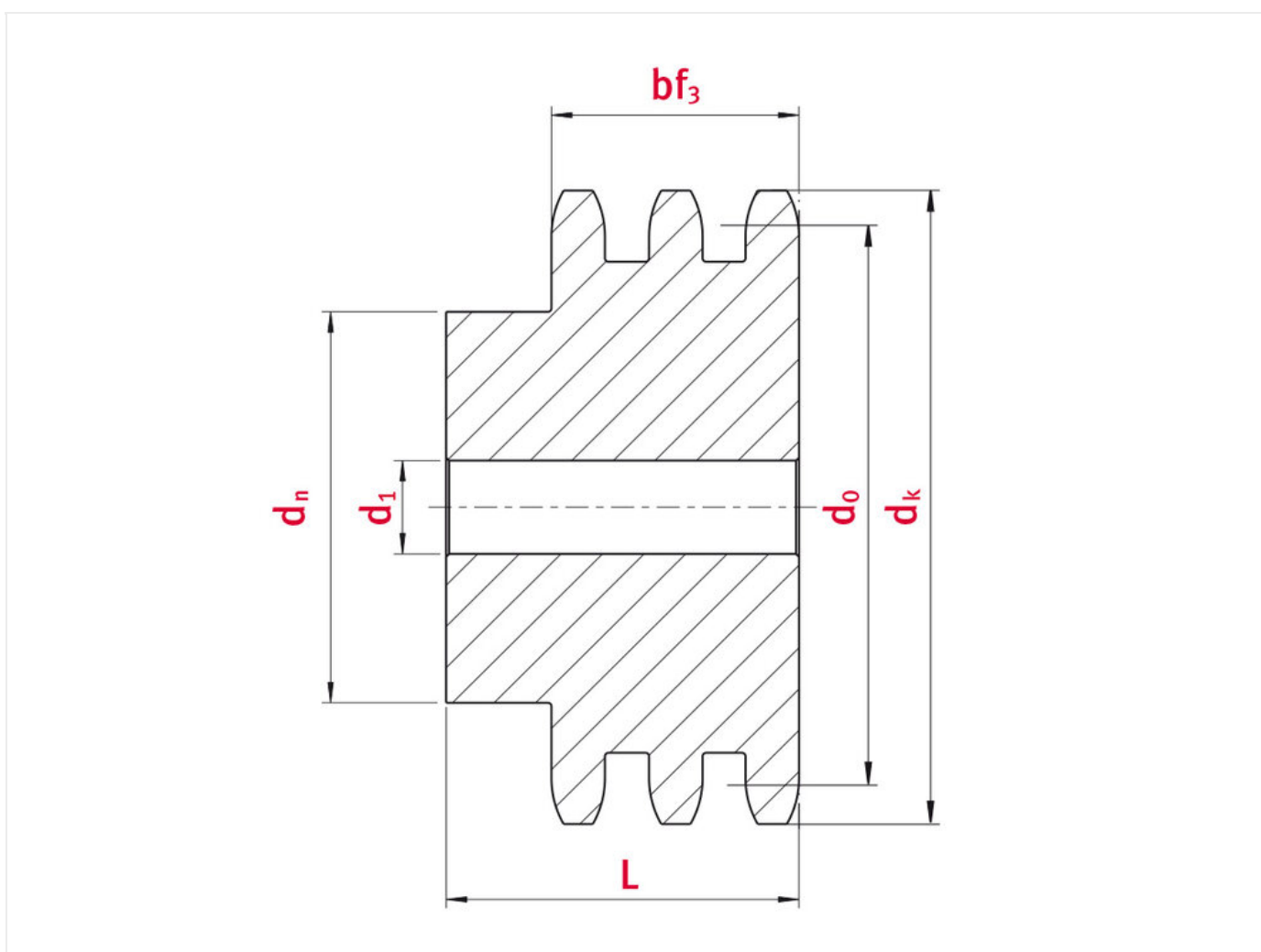


## sprocket 32B-3 9 teeth

Part no.: I1cbfab9b42f6

Packaging Unit: 1pce

Model: 9 teeth



## Technical data

SPROCKET	32B
Pitch p (mm)	50,8
Width between inner plates b1 min. (mm)	30,99
Roller diameter d1 max. (mm)	29,21

Teeth	9
Tip circle dk (mm)	169
Pilot bore d1 (mm)	30
Total length L (mm)	180
Hub	88

## Product Information

iwis offers in the "plate wheels and drive components" sector an impressively wide range and broad stock of various plate wheels with pilot bores, and has full machining facilities in order to rapidly rework pilot bore plate wheels to customers demands. Furthermore, iwis provides fully finished plate wheels manufactured according to customer designs and drawings. iwis can always supply a wide range of ISO 606-compliant standard sprockets and plate wheels from stock. Our standard range covers sprockets and plate wheels in sizes 05 B-1 to 32 B-3.

### Highlights:

- All sprockets are suitable for roller chains based on the requirements of ISO 606
- All sprockets with pilot bores
- The material used is unalloyed tempered steel
- Special surface treatments are available on request

**REQUEST DIRECTLY ONLINE NOW**

<https://www.iwis.com/en-en/products-services/sprocket-32b-3-9-teeth~p7711>

## Useful information

### CALCULATION PROGRAM

InduKet: the Chain Drive Calculation Program for Engineers.

[iwis.com/chaincalc](https://www.iwis.com/chaincalc)

### CHAIN CALCULATION

The right drive solution for your challenge.

[chaindrive@iwis.com](mailto:chaindrive@iwis.com)