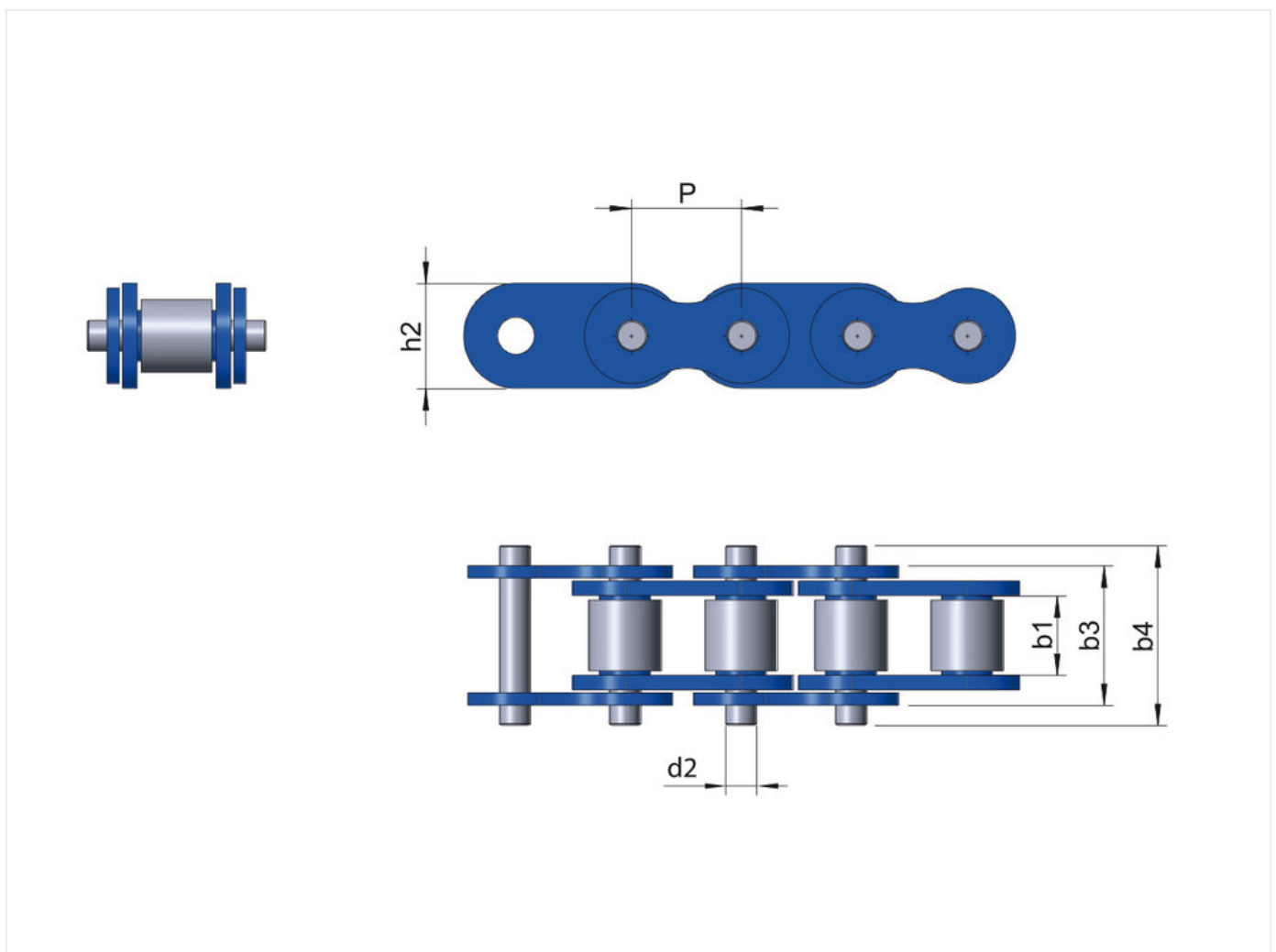


Plate top basic chain 60, hardened carbon steel - FLEXON

Part no.: 81015353
Packaging Unit: 3,048m

Brand: FLEXON
Model: Base chain
Surface: hardened carbon steel



Technical data

| | |
|---------------------------|------|
| FLAT TOP CHAIN | 60 |
| Pin diameter d2 max. (mm) | 5,94 |
| Weight per meter (kg) | 1,56 |
| Chain material | C45 |

| | |
|---------------------------|-------|
| Average breaking load (N) | 31,8 |
| Material base chain | C45 |
| Pitch base chain (mm) | 19,05 |

Product Information

The FLEXON range of Plate Top chains are two piece assemblies of base roller chain, in steel or stainless steel, onto which a plastic plate is mounted. The combination of the two elements creates a chain with high breaking load provided by the ELITE base chain plus the benefit of a very flat top surface.

ANSI 60 base chain with extended pins

Applications

- Feeding and automation technology
- Packaging industry



REQUEST DIRECTLY ONLINE NOW

<https://www.iwis.com/en-gb/products-services/plate-top-basic-chain-60-hardened-carbon-steel-flexon~p7294>

Useful information



CALCULATION PROGRAM

InduKet: the Chain Drive Calculation Program for Engineers.

[iwis.com/chaincalc](https://www.iwis.com/chaincalc)



CHAIN CALCULATION

The right drive solution for your challenge.

chaindrive@iwis.com



SERVICES

ChainFinder, CAD data, iwis Chain Handbook and more.

[iwis.com/services](https://www.iwis.com/services)