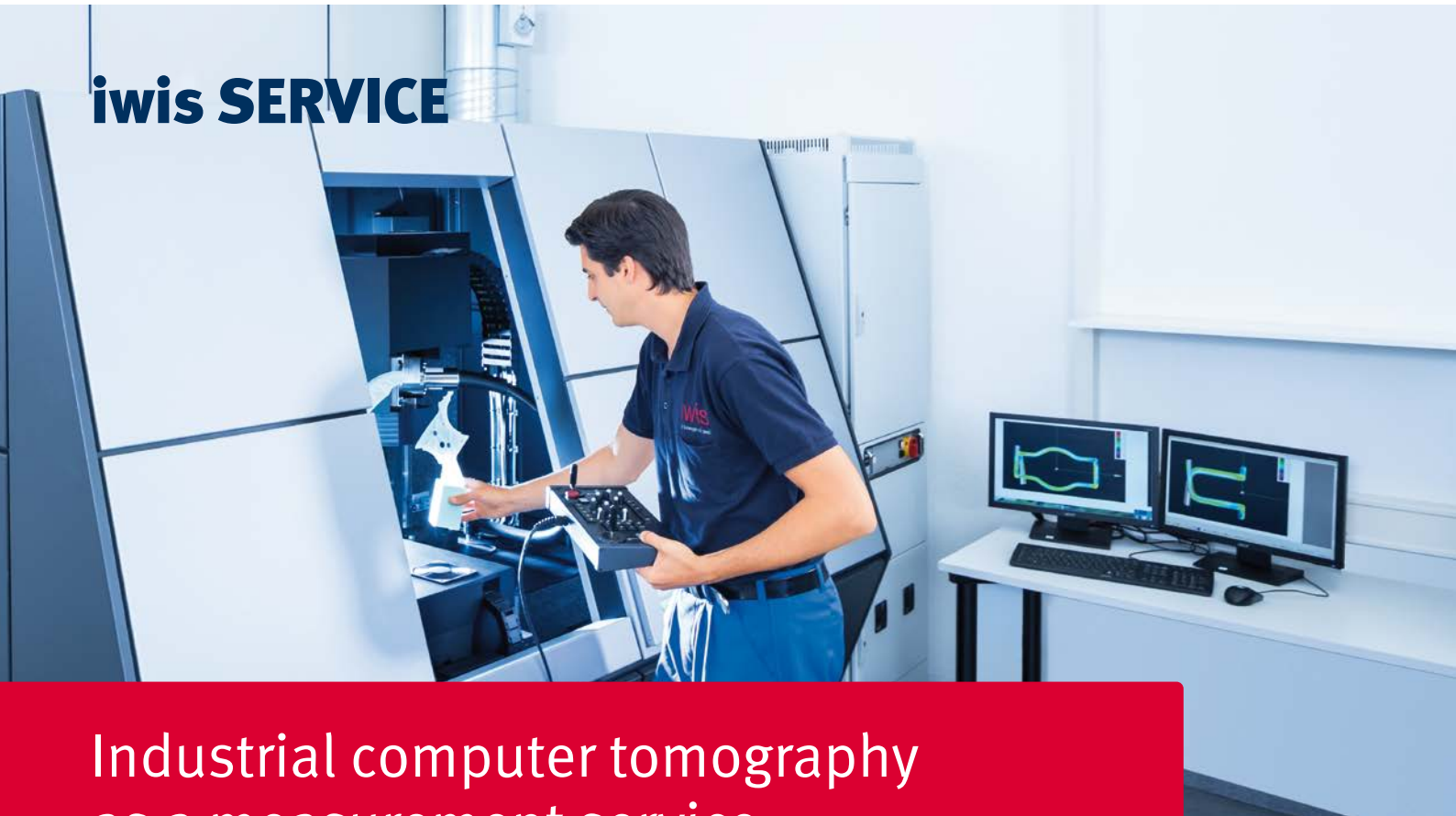


**iwis SERVICE**



Industrial computer tomography  
as a measurement service



## Service overview

### Fault analysis

- Defect analysis, e.g., cracks
- Porosity and inclusion analysis throughout the entire component

### Fault size detected by laboratory CT

Plastic	> 0.1 mm
Aluminium	> 0.2 mm
Metal	> 0.3 mm

### Measurements

- Geometry comparison, e.g., nominal-actual comparison
- Metrological evaluation also on multimaterial (hybrid components)
- Metrological evaluation of standard geometries and freeform surfaces
- Color-coded 3D visualization

### Reverse Engineering

- Creation of an STL file for subsequent surface reconstruction for CAD.

### Multi-Material Scan

- Enables the generation of separate STL point clouds for each material, for example, for plastic and metal components
- In the case of objects composed of multiple materials with significant differences, a separate point cloud is calculated for each material. (Typical applications include assemblies with overmolded plastic components)

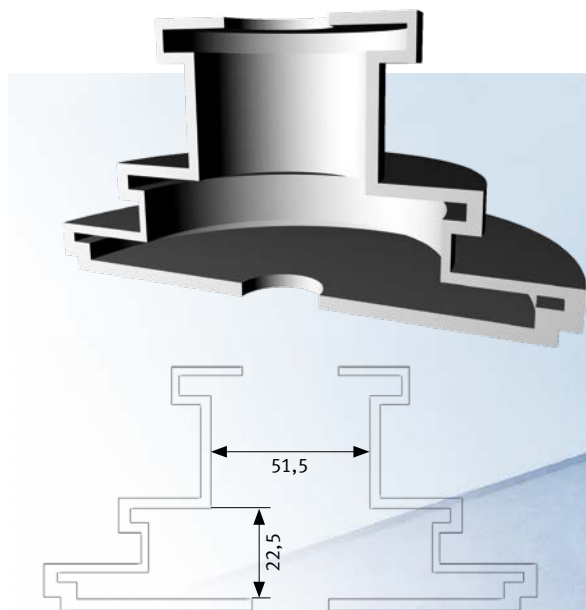
## Applications

- Analysis for cavities and extraneous material
- Evaluation of geometric and positional tolerances across whole sections
- Full comparison with the 3D CAD model
- Comparison of two components (master part vs actual state)
- Inspection of welded and assembled connections
- Benchmark system for the analysis of competitors' products

### To be supplied by customer

- 3D file: \*.STEP oder \*.IGES
- Drawing in paper form or \*.PDF





## Price summary

### Net rate

Hourly rate	€ 198
-------------	-------

### Flat-rate processing costs including dispatch

Within the EU	€ 65
---------------	------

Non-EU countries	€ 105
------------------	-------

## Technical facilities

### CT parameter

Equipment type	TomoScope XS, L, S
----------------	--------------------

Power	160, 225, 240 kV
-------	------------------

Output	1.5 kW
--------	--------

### Geometry

Envelope diameter	Max. 330 mm
-------------------	-------------

Length	Max. 510 mm
--------	-------------

### Process capability

- Standardized order processing
- Reliable, unambiguous identification (assignment of component to result)

### Analysis software

VG Studio MAX 3.0, Geomagic ControlX, WinWerth, Zeiss Inspect





## A service for our customers, suppliers and other enterprises – worldwide

With our “Industrial Computer Tomography” measurement service, we offer a solution for the nondestructive testing of a range of components. Our specially trained, expert measurement engineers will be delighted to help and advise you and, if necessary, will work with you to develop a practical, appropriate measurement solution for your components.



You can obtain all the relevant information and download this flyer and measurement order form at our web site [www.iwis.com/ct](http://www.iwis.com/ct)

### **CT measurement technology team:**

Please contact us to find out more about this iwis service. Our “CT measurement technology team” is available from 7 am to 5 pm Monday to Friday.

Tel. +49 8191 9155-3345  
[computertomographie@iwis.com](mailto:computertomographie@iwis.com)